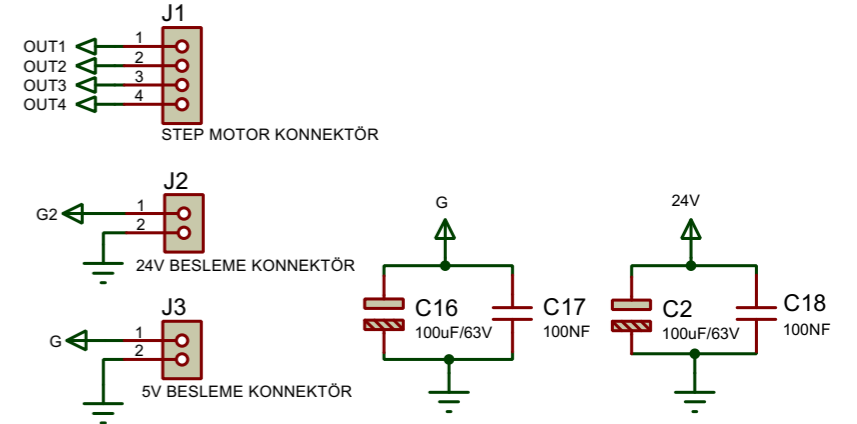
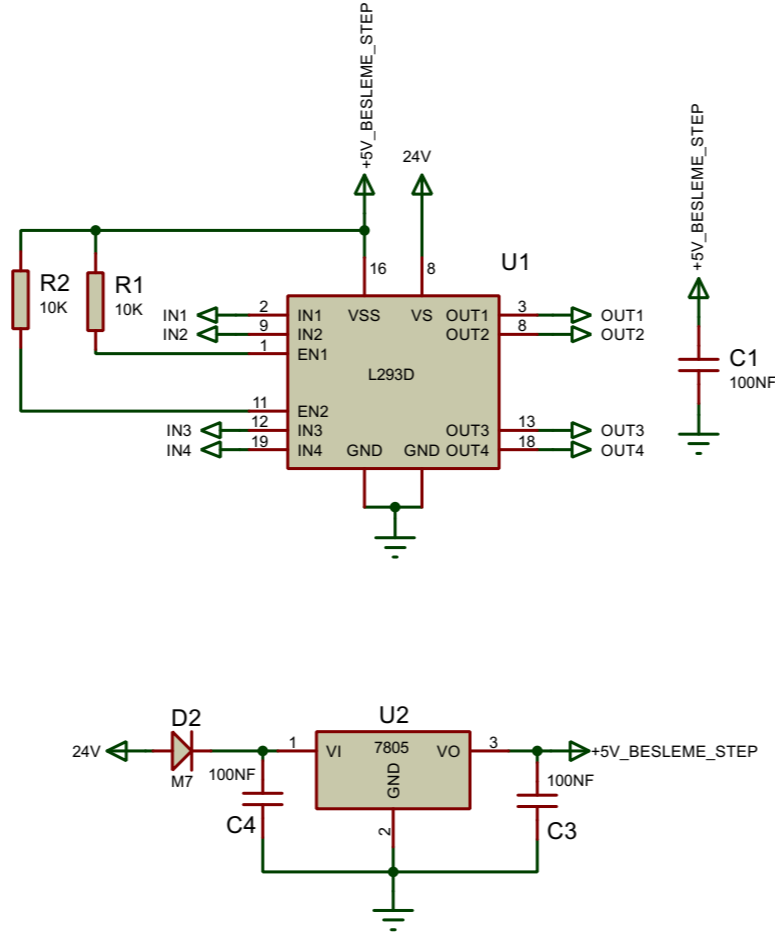
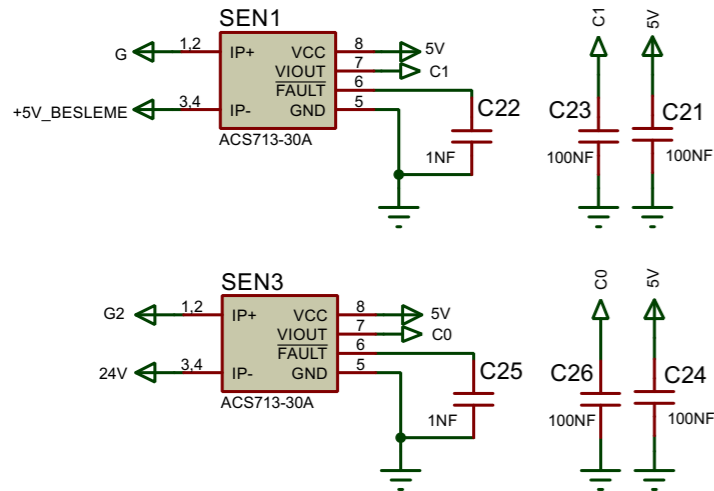
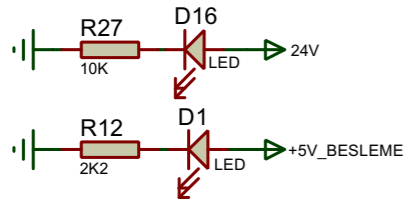
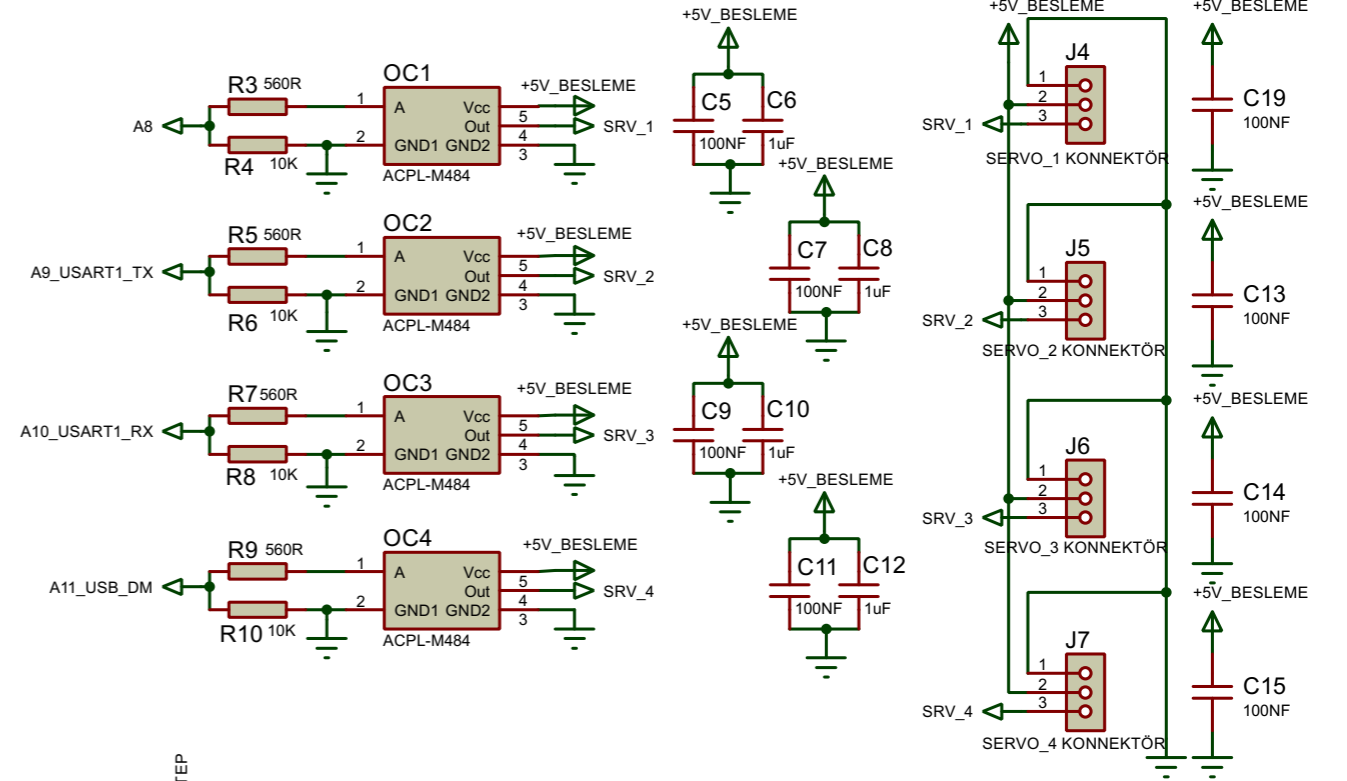


AKINOID-GKS107A / AKINOID-GKS464C / AKINOID-GKS464D GELİŞTİRME KARTLARI İÇİN PINLER BELİRTİLMİŞTİR



FILE NAME : SRVSTPDRV.pdsprj
DESIGN TITLE : STEP-SERVO Motor Sürücü
BY : AKINROBOTICS
VERSION : V.1
DATE : 2.12.2021

